

1. GENERAL DESCRIPTION

The APRO-IR active infrared movement detector has been designed to control the opening of automatic doors. It can detect movement over a surface area from 1.5 to 2.2 square metres thanks to the possibility of adjusting the vertical position of the detector with the envisaged trimmer.

2. MAIN SPECIFICATIONS

Power supply	12-24 V AC/DC (grey wires)
Absorption	150 mA max.
IP protection class	IP 45
Capacity of relay contact	0.5 A @ 24V
Available output contact	N.O. (yellow wires)
Relay release time	adjustable from 2 to 7 seconds
Vertical adjustment	from 5° to 24° (adjustable)
Detection area	adjustable with trimmer
Operating temperature	-20 to +55 °C
Dimensions / weight	210 x 73 x 33 mm / 380 g



3. LIST OF PARTS IN THE PACKAGE

- N° 1 APRO-IR
- N° 1 INSTRUCTION SHEET
- N° 1 SCREWS KIT FOR ASSEMBLY
- N° 1 CONNECTION CABLE (2 M)

4. ASSEMBLY INSTRUCTIONS

- 1: Remove the plastic cover using a screwdriver and lifting upwards and outwards (see Figure 1).
- 2: Using the "drilling template" as a guide, drill the holes for the fixing screws.
- 3: Use the screws to fix the detector to the supporting surface. Pass the cable through the relevant slot and plug it into the connector (see Figure 2).

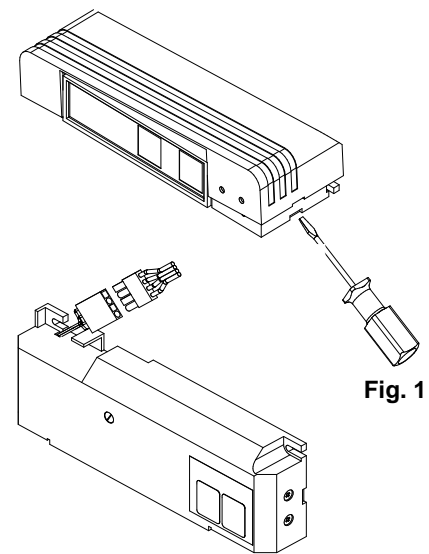
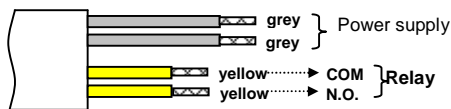


Fig. 1

5. CONNECTIONS



6. ADJUSTMENTS

The following parameters can be changed:

- Detection angle
- Detection area
- Relay release time

Detection angle

It is possible to adjust the detection angle from a minimum of 5° to a maximum of 24° (Figure 3, side view), with screw A (Figure 4), on the top part of the detector.

Detection area

It is possible to adjust the detection area using the 'VOL' trimmer (B, Figure 4) on the right side of the detector. It is also possible to limit the area by applying the stickers supplied on the sensor to hide zones 1 and 3 as shown in the Figure 4. The IR emission is modified as shown in Figure 5 (front view)

Relay release time

The release time of the relay can be adjusted with the 'TIME' trimmer (C, Figure 4) on the right side of the detector.

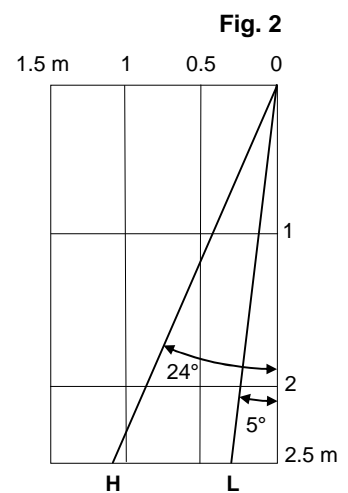


Fig. 3



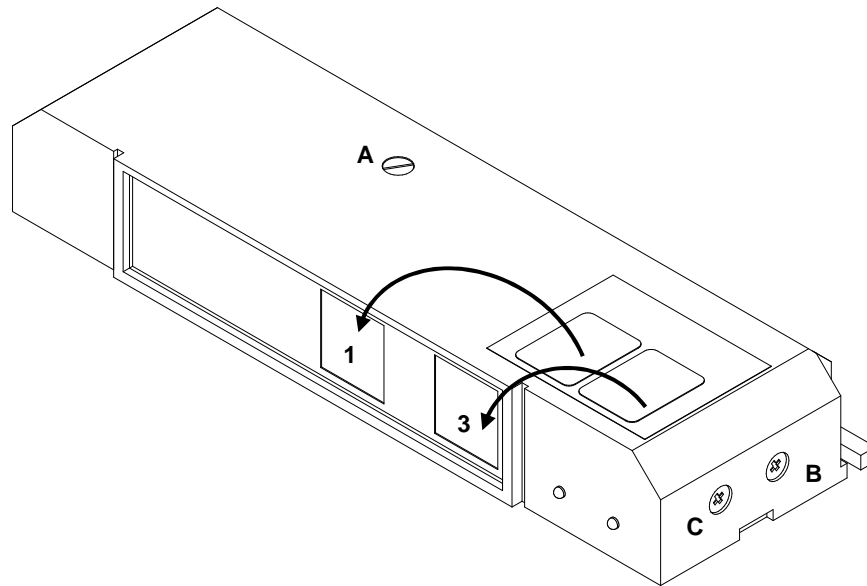


Fig. 4

7. DETECTION DIAGRAM

Figure 6 shows the detection diagram of the APRO-IR.

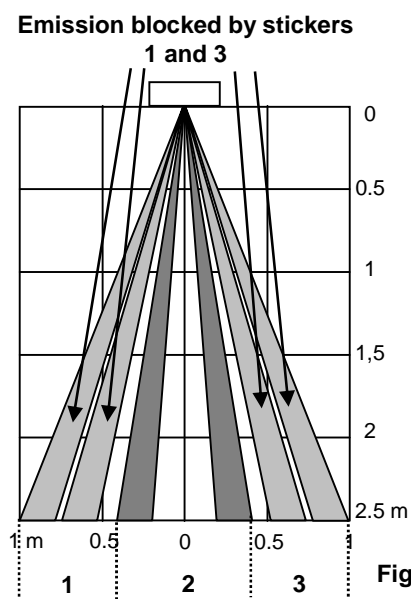


Fig. 5

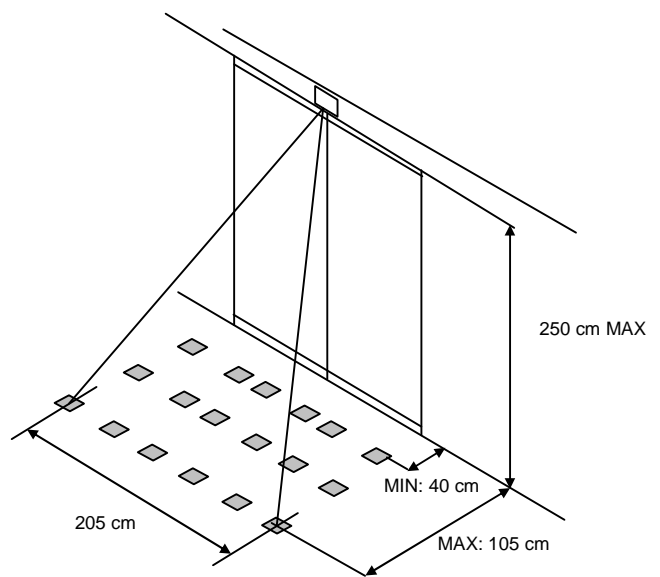


Fig. 6

